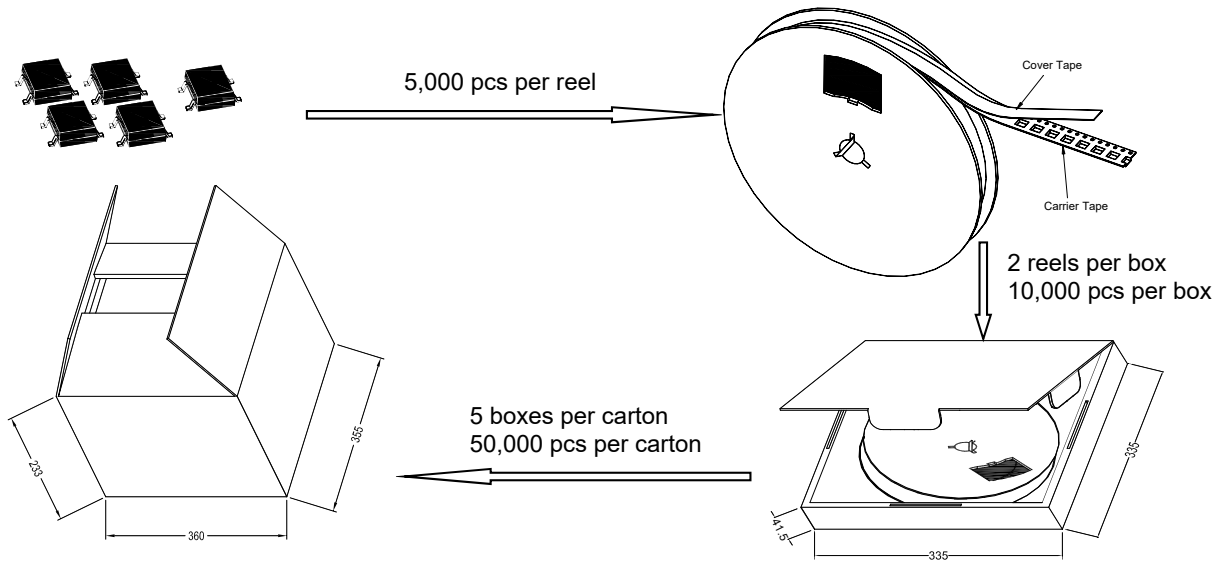
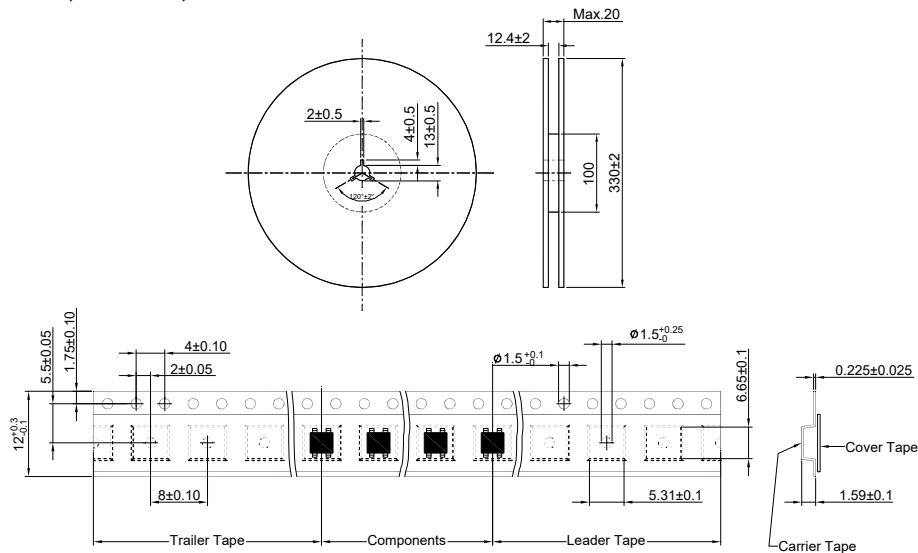


Packaging Specifications of Tape and Reel for LBF / ABF

1. The method of packaging and dimension are shown as below figure. (Dimension in mm)



2. Tape and reel data (Units: mm)



3. Label

3.1 The information of inner box label must be listed: (Description of a sample label)

- | | | | |
|-------|-------------------|---------|---------------------------------|
| 3.1.1 | TYPE TD10M | | means (Product) TYPE (Part No.) |
| 3.1.2 | QTY 10,000 PCS | 0120093 | means (Product) Quantity (QTY) |
| 3.1.3 | D/C SL0B3N0917S01 | | means Dice Lot No./ Code (D/C) |
| 3.1.4 | P/C DBEB0822A | | means Production Code (P/C) |
| 3.1.5 | RMK 50121 | | means Manufacturing Date (RMK) |

3.2 The information of carton label must be listed

- 3.2.1 TYPE
- 3.2.2 QTY

